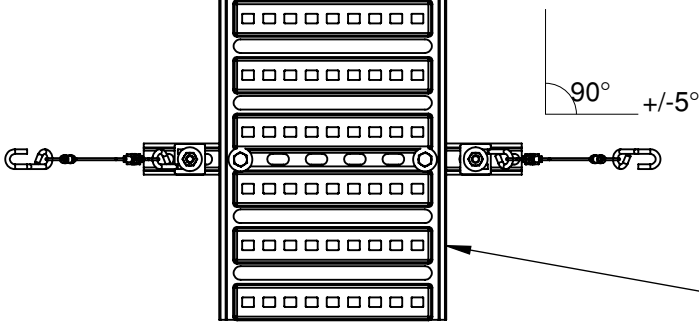
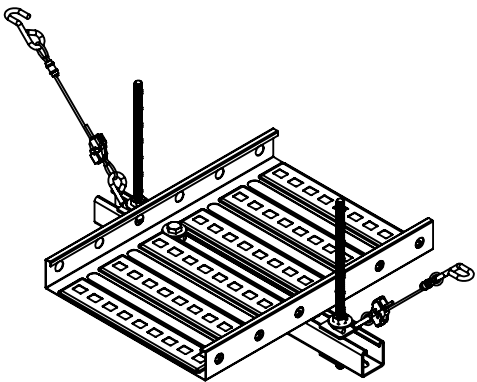
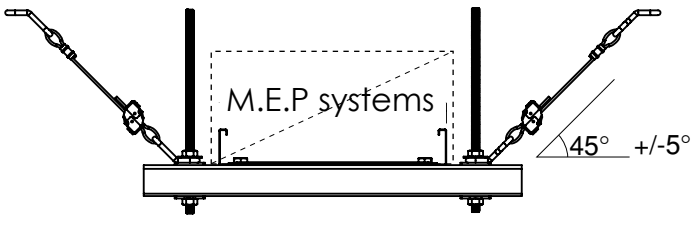


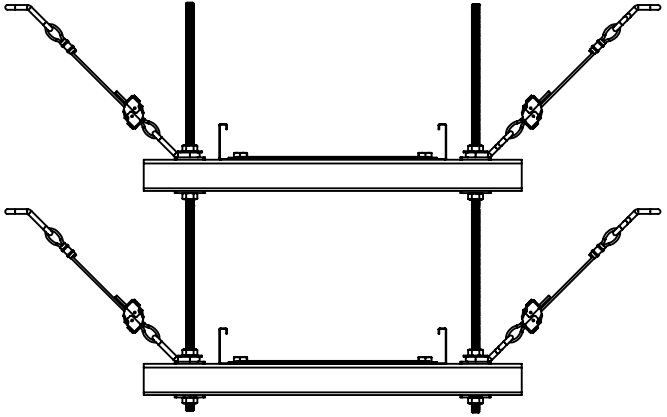
TO BE VERIFIED BY PROJECT SEISMIC ENGINEER



M.E.P systems secured to trapeze per manufacturer's requirements



Single layer trapeze



Multi layered trapeze

Registered Design
Patented No. 2021107288
Other Patents Pending



VAICO Limited
18 Newnham St, Rangiora, Canterbury,
NEW ZEALAND
T +64 3 310 6322 | E sales@vlockglobal.com
www.vlockglobal.com

COPYRIGHT VAICO Ltd. © 2021



SCB.2W
2 Way Transverse
Seismic cable brace
installation

Drawing No.
SCB.2W
Revision
B