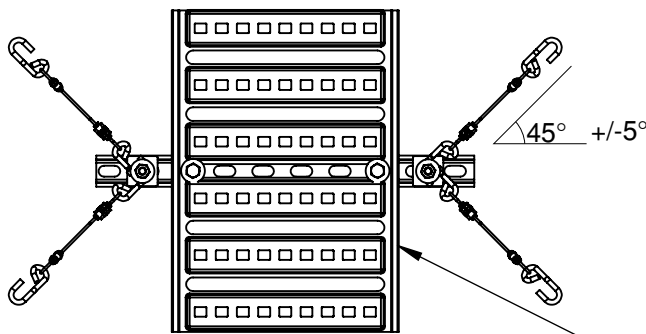
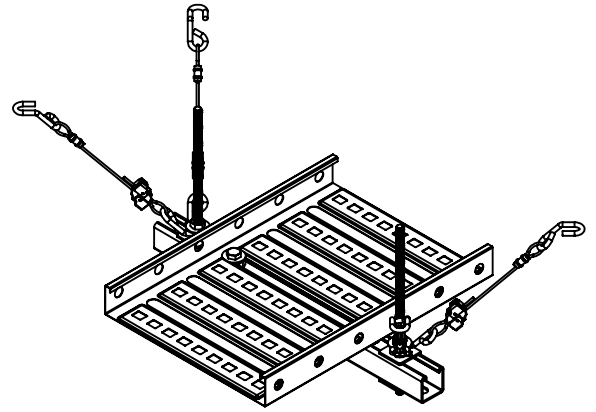
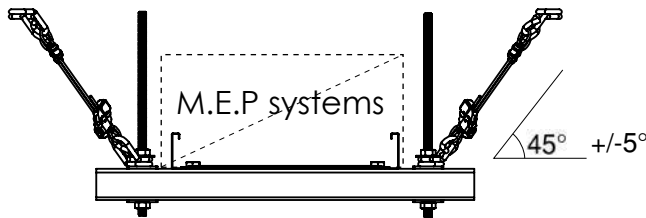


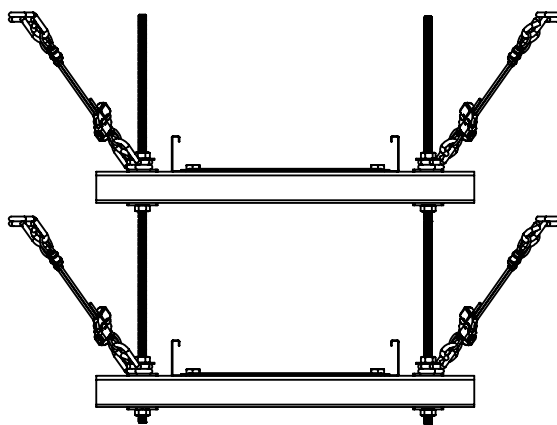
TO BE VERIFIED BY PROJECT
SEISMIC ENGINEER



M.E.P systems secured to
trapeze per manufacturer's
requirements



Single layer trapeze



Multi layered trapeze

V.LOCK

● ● SEISMIC & SUSPENSION

Registered Design
Patented No. 2021107288
Other Patents Pending



VAICO Limited
18 Newnham St, Rangiora, Canterbury,
NEW ZEALAND
T +64 3 310 6322 | E sales@vlockglobal.com
www.vlockglobal.com

COPYRIGHT VAICO Ltd. © 2021

SCB.4W
4 Way Transverse, Longitudinal
Seismic cable brace
installation

Drawing No.
SCB.4W

Revision
B