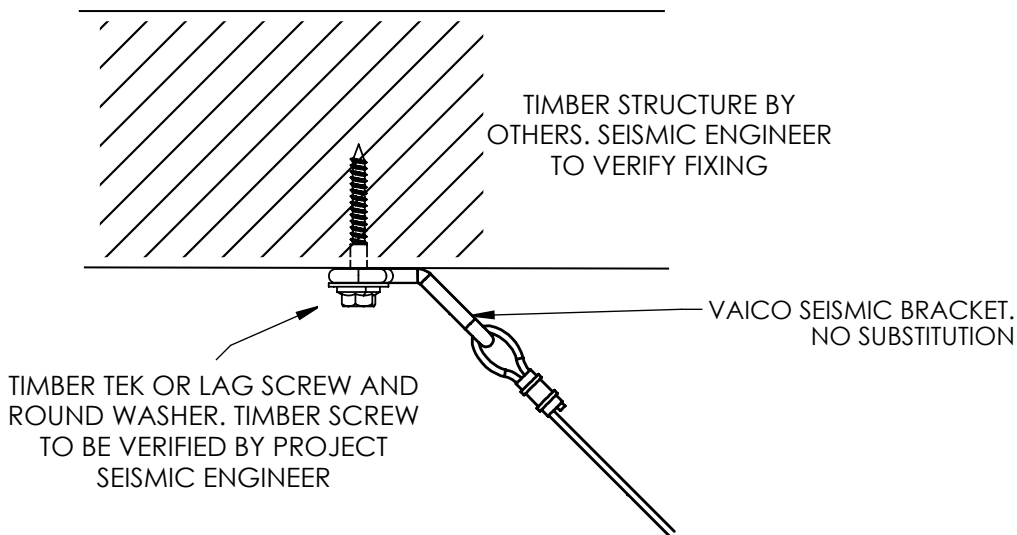
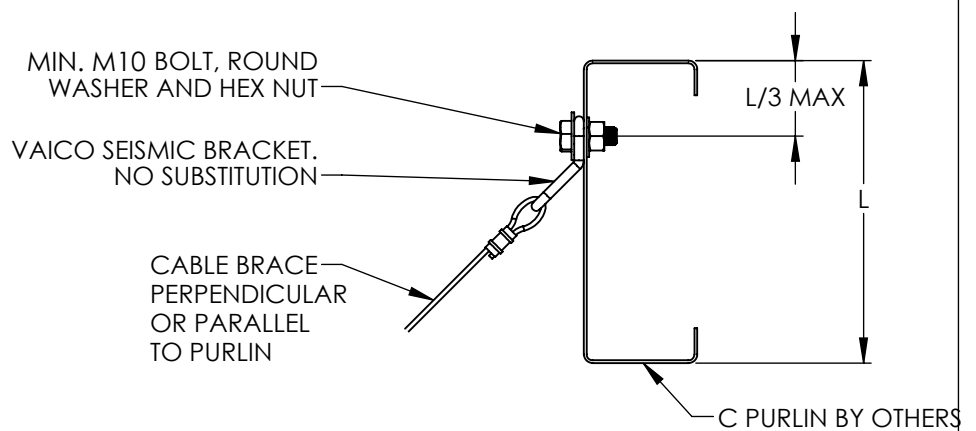
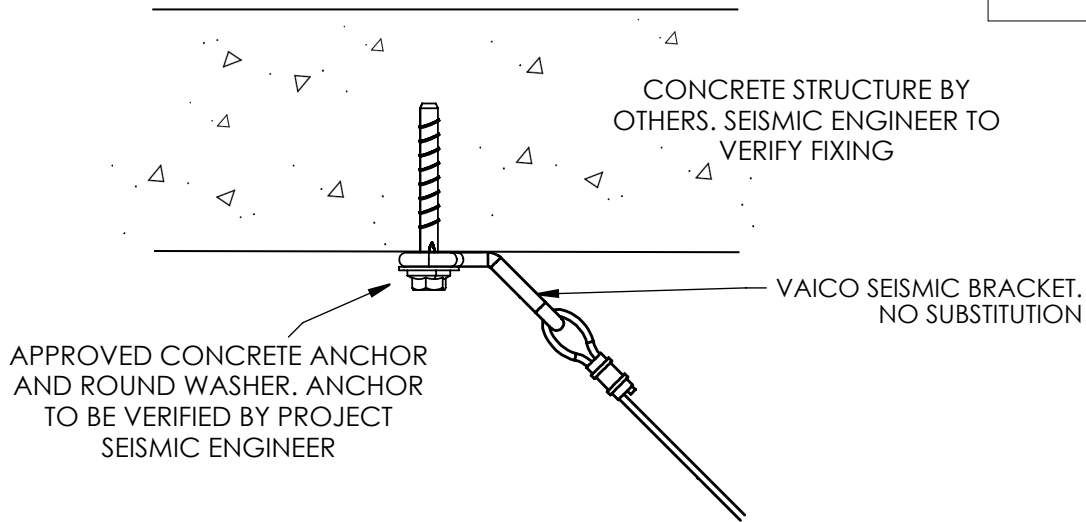


TO BE VERIFIED BY PROJECT SEISMIC ENGINEER



Registered Design
Patented No. 2021107288
Other Patents Pending

V.LOCK

● ● SEISMIC & SUSPENSION



VAICO Limited
18 Newnham St, Rangiora, Canterbury,
NEW ZEALAND
T +64 3 310 6322 | E sales@vlockglobal.com
www.vlockglobal.com

COPYRIGHT VAICO Ltd. © 2021

BRSC1

BRACE CONNECTION
TO STRUCTURE

Drawing No.
BRSC1

Revision
B