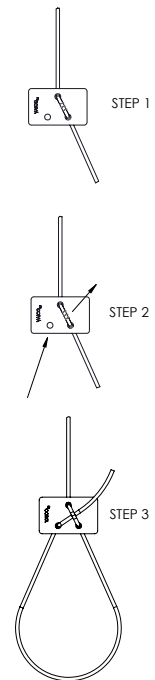
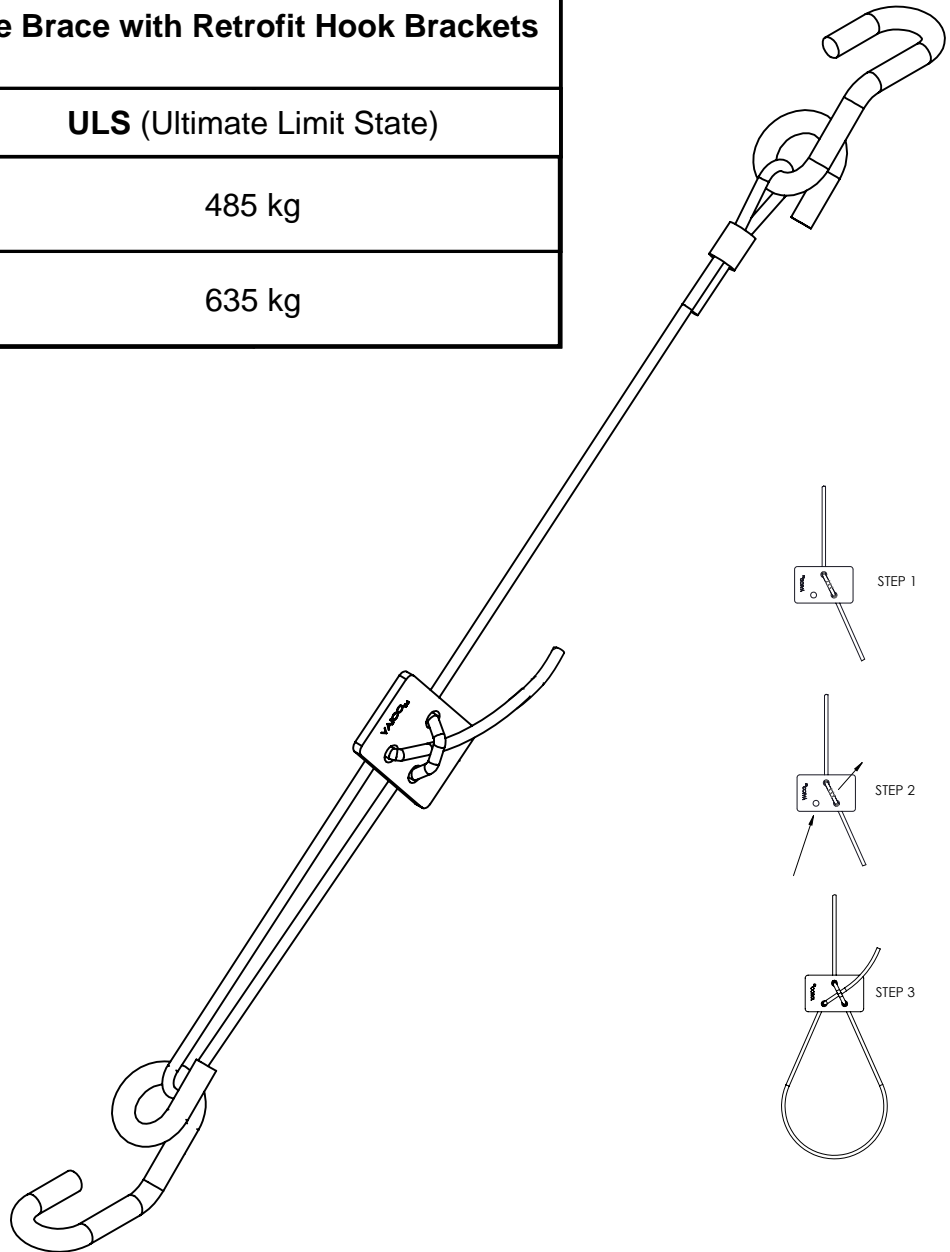


V.LOCK Seismic Cable Brace with Retrofit Hook Brackets

Cable Size	ULS (Ultimate Limit State)
No.3 (3.18mm / 1/8")	485 kg
No.5 (4.75mm / 3/16")	635 kg



Registered Design
Patented No. 2021107288
Other Patents Pending

V.LOCK

● ● SEISMIC & SUSPENSION

KMR2021-3242



VAICO Limited
18 Newnham St, Rangiora, Canterbury,
NEW ZEALAND
T +64 3 310 6322 | E sales@vlockglobal.com
www.vlockglobal.com

COPYRIGHT VAICO Ltd. © 2021

V.LOCK Seismic Cable Brace
with retrofit Hook Brackets

Drawing No.
VL-SH

Revision
B